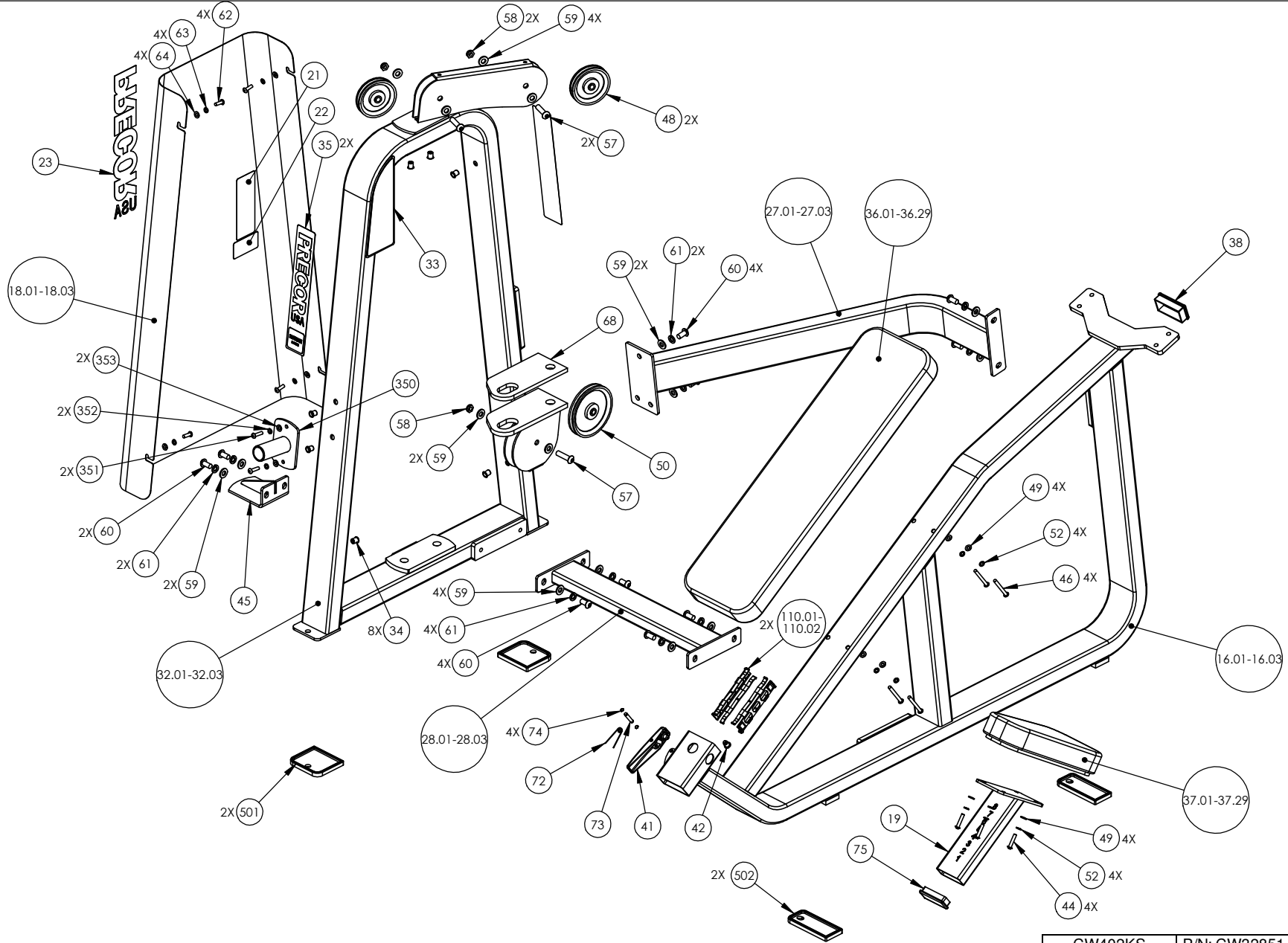
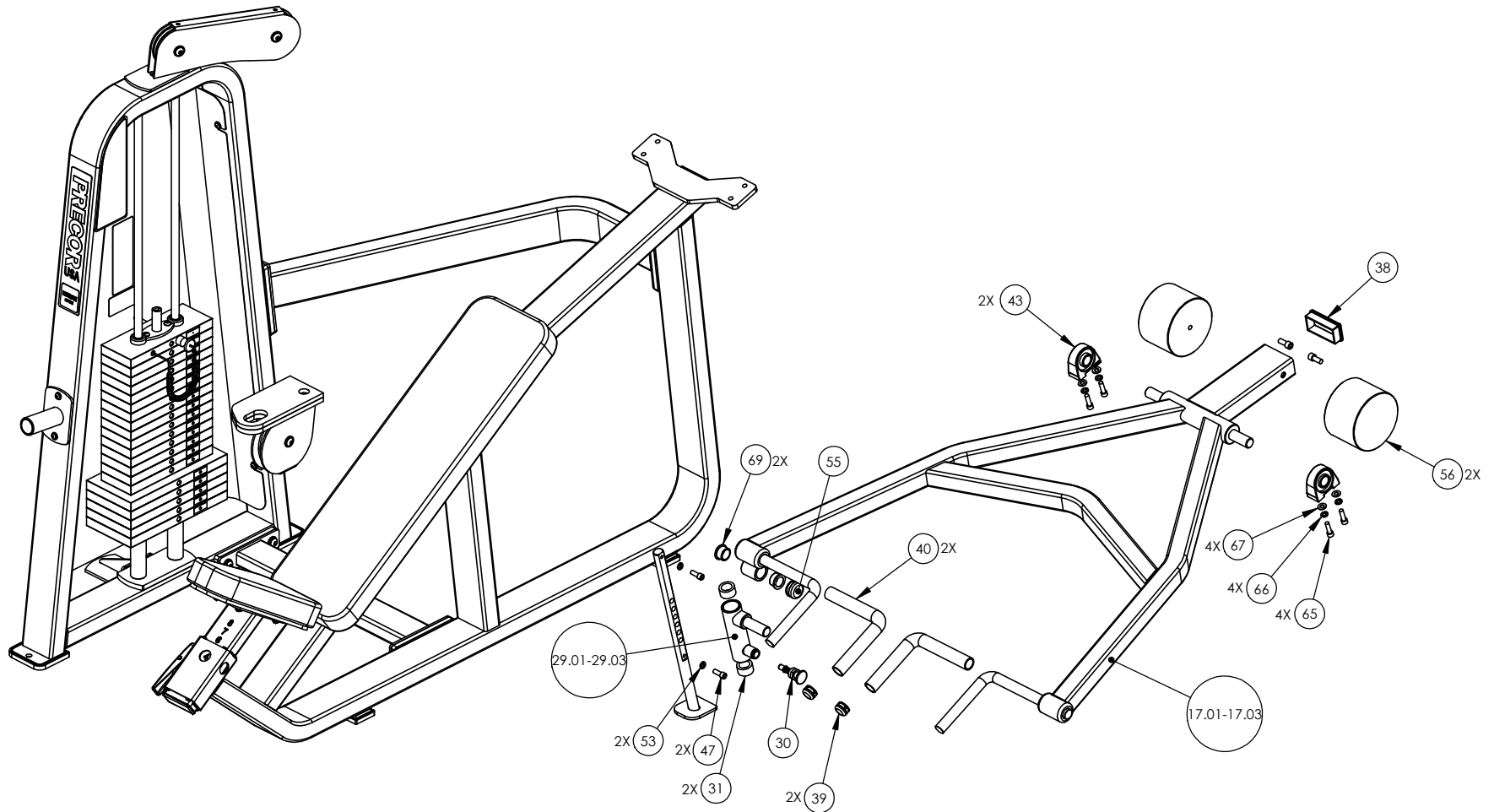


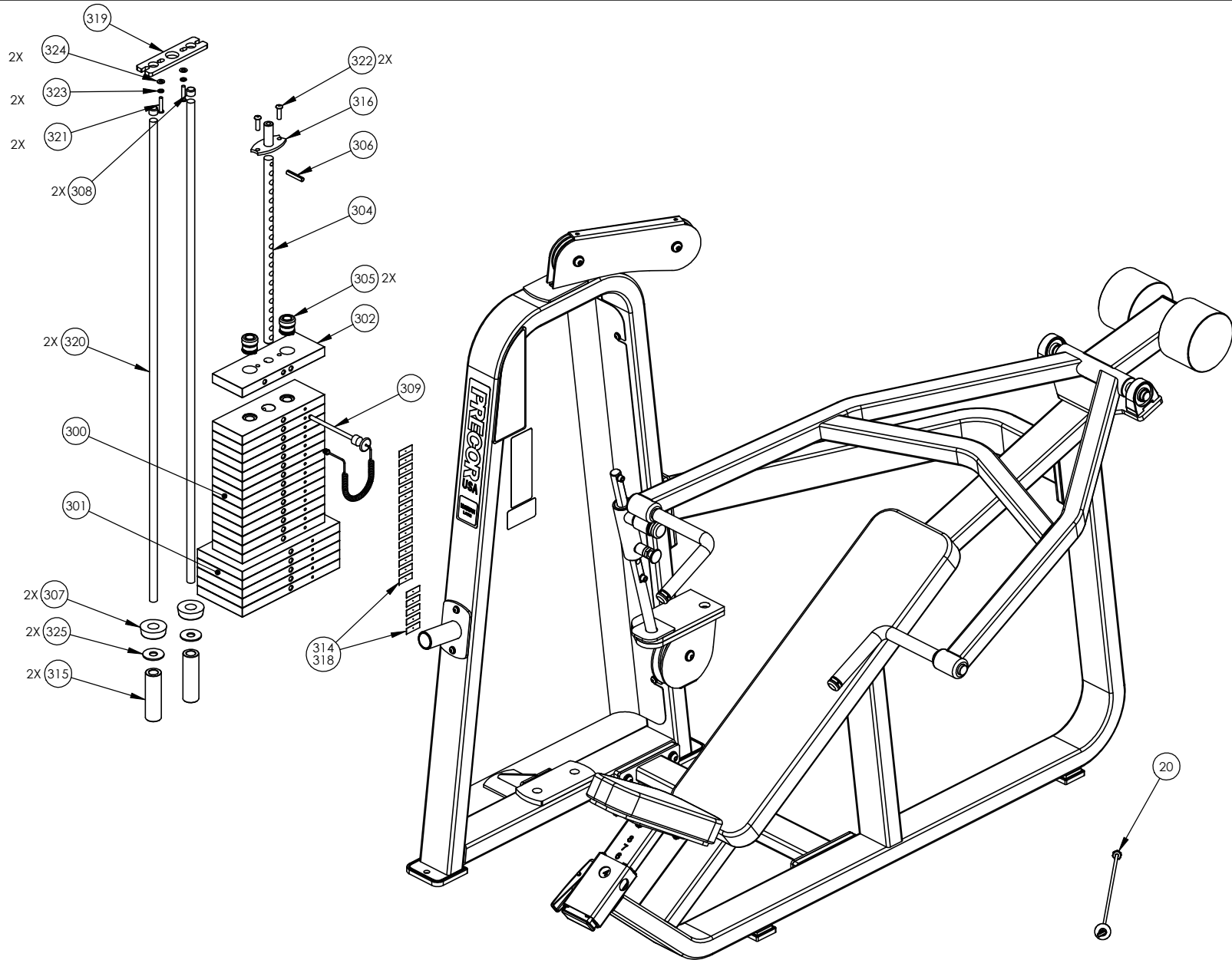
CW402KS	P/N: CW32851-101	SUBREV: B
DRAWN BY: VLE	DATE: 05.11.09	SHEET 1 OF 4



CW402KS	P/N: CW32851-101	SUBREV: B
DRAWN BY: VLE	DATE: 05.11.09	SHEET 2 OF 4



CW402KS	P/N: CW32851-101	SUBREV: B
DRAWN BY: VLE	DATE: 05.11.09	SHEET 3 OF 4



CW402KS	P/N: CW32851-101	SUBREV: B
DRAWN BY: VLE	DATE: 05.11.09	SHEET 4 OF 4

402KS Incline Press Advanced

Part Number	Description	Bubble Number
CW32814-211	WELDMENT, SEATFRAME, CW402KS,SKY WH	16.01
CW32814-301	WELDMENT, SEATFRAME, CW402KS, CUSTO	16.02
CW32814-321	WELDMENT, SEATFRAME, CW402KS, CUSTO	16.03
CW32994-301	ASSY, PRESS ARM, CW402KS, CUSTOM	17.02
CW32994-321	ASSY, PRESS ARM, CW402KS, TITANIUM	17.03
CW32091-301	ASSY, SHROUD, #5, CUSTOM	18.02
CW32091-321	ASSY, SHROUD, #5, TITANIUM, HG	18.03
CWCLGG103-750	ASSY, CABLE, CW402KS	20
CW30010-102	LABEL,WARNING STRENGTH	21
CW30011-102	LABEL,WARNING WEIGHT STACK	22
CW32923-301	ASSY, UPPER FRAME LINK, CUSTOM	27.02
CW32923-321	ASSY, UPPER FRAME LINK, TITANIUM, H	27.03
CW32924-301	ASSY, 23.38" LOWER FRAME LINK, CUST	28.02
CW32924-321	ASSY, 23.38" LOWER FRAME LINK, TITA	28.03
CW31181-211	WELDMENT,HANDLE ADJUSTMENT,402,SKY	29.01
CW31181-301	WELDMENT,HANDLE ADJUSTMENT,402,CUST	29.02
CW31181-321	WELDMENT,HANDLE ADJUSTMENT,402,TITA	29.03
CW30165-752	ASSY, POP PIN, 0.450 DIA NOSE, BLU	30
CWCP1059-101	CUT PIECE,UHMW RND, 1 1/2 OD X 1.02	31
CW32813-211	WELDMENT, FRAME,MAIN, CW402KS, SKY	32.01
CW32813-301	WELDMENT, FRAME,MAIN, CW402KS, CUST	32.02
CW32813-321	WELDMENT, FRAME,MAIN, CW402KS, TITA	32.03
CW33352-101	ASSY, PLACARD, 402KS	33
CW12537-109	NUT,INSERT,THIN-NUT,LARGE FLANGE	34
CW31756-101	LABEL, PRECOR USA ICARIAN LINE	35
CWPD1102J-101	PAD,FLAT,10X36,4HOLES,W/BP,BLACK,W/	36.01
CWPD1207B-101	PAD,5X9X14.5,4HOLES,W/BP,BLACK	37.01
CW11311-102	ENDCAP, REC TUBE, 2X4, BLK PLASTIC	38
CWAC218-901	HANDLE END CAP W/SET SCREWS, DIA 1"	39
CWGR4613-750	GRIP, RUBBER, 1.00" OD HANDLE, 13.7	40
CW32460-221	ASSY, RATCHETING LEVER, BLACK	41
CW31784-731	STOP PLUG, BLK ZN	42
CW12406-101	PILLOW BLOCK, BEARING, 2 BOLT	43
CWTAYN031-100	SCREW, BUTTON HEAD, BLK XYLAN, 5/16	44
CW33286-731	WELDMENT, STABILITY FOOT,BLACK ZINC	45
CWTAYN031-300	SCREW, BUTTON HEAD, BLK XYLAN, 5/16	46
CWCAYN038-100	SCREW, SOCKET HEAD, BLK XYLAN, 3/8	47
CWAC1009-101	PULLEY, 4 1/2 DIA X 1/2 ID	48
CWWBKN031-007	WASHER, FLAT, TYPE A, SAE, 5/16 ID	49
CWAC1010-101	PULLEY, 6 DIA X 1/2 ID	50
CWWALYN031-008	WASHER, SPLIT, 5/16 ID, BL	52
CWWALYN038-009	WASHER, SPLIT, 3/8 ID, BLK XYLAN	53
CWAC222-901	ASSY, SHAFT END CAP W/SET SCREWS, D	55
CWPF3449-721	CNTRWT,RND,6ODX4,1HL TAPPED,WRKLBLK	56
CWTAYN050-200	SCREW, BUTTON HEAD, BLK XYLAN, 1/2	57
CWKAYN050-031	LOCKNUT, NYLON INSERT, HALF, UNC, 1	58
CWWBKN050-010	WASHER, FLAT, TYPE A, SAE, 1/2 ID X	59
CWTAYN050-100	SCREW, BUTTON HEAD, BLK XYLAN, 1/2	60

CWWALYN050-013	WASHER, SPLIT, 1/2 ID, BLK XYLAN	61
CWTAYN031-100	SCREW, BUTTON HEAD, BLK XYLAN, 5/16	62
CWWALYN031-008	WASHER, SPLIT, 5/16 ID, BL	63
CWWBKN031-007	WASHER, FLAT, TYPE A, SAE, 5/16 ID	64
CWCP1052-102	CUT PIECE, CREPE,	68
CW10433-110	BUSHING, FLNGD, 1.25ODX1IDX.75, IGUS R	69
CW12634-101	SPRING, TORSION 90 DEG X 0.484 X 0.	72
CW31770-742	LATCH PIVOTING PIN, CLR ZN	73
CWAMNN028-003	RING, RETAINING, 2-TURN, SPIRAL, SS	74
CW33626-901	GUIDE, THIN, TELESCOPING TUBE	110.01
CW33626-902	GUIDE, THCK, TELESCOPING TUBE	110.02
CWAC1133-101	BUSHING, WEIGHT PLATE, LDPE PLASTIC	203
CW30171-742	PIN, WEIGHT STACK, 6.00 INCHES, ZN	226
CW10519-721	PLATE, WEIGHT, 20 LBS, WRKL BLK	279
CW10510-721	ASSY, PLATE, WEIGHT, 10 LBS, WRKL B	300
CW10520-721	ASSY, PLATE, WEIGHT, 20 LBS, WRKL B	301
CW10550-723	PLATE, WEIGHT, MED TOP (MTP-S), 10	302
CW30132-712	SELECTOR STEM, 20 PLATE, 0.875 DIA,	304
CW30184-902	ASSY, BARREL, TOP PLATE, ALUMINUM, TALL	305
CW58004-101	WEIGHT STACK BUSHING KIT, KS SERIES	305
CWLDNN038-200	SLOTTED PIN SPRING, DIA 3/8 X 2	306
CW12402-101	BUMPER, ID 1.050, BLK RUBBER	307
CW12404-101	CAP, GUIDE ROD, DIA 3/4, BLK	308
CW32937-101	WEIGHT STACK LABELS, 10-250, STAGGE	313
CW32938-101	WEIGHT STACK LABELS, 10-300, STAGGE	314
CW33323-721	STACK RISER, 5 INCH, WRINKLE BLACK	315
CW32663-741	WELDMENT, BOLT ON TOP PLATE MINI ST	316
CWPF1016-732	BAR,, FLAT CR/HR, 3/8 X 2 X 8 1/4, 3	319
CWPF1214-711	GUIDE ROD, STEEL, OD 3/4 X 52 5/8, CH	320
CWTAYN031-150	SCREW, BUTTON HEAD, BLK XYLAN, 5/16	321
CWTAYN038-125	SCREW, BUTTON HEAD, BLK XYLAN, 3/8	322
CWWALYN031-008	WASHER, SPLIT, 5/16 ID, BL	323
CWWBKN031-007	WASHER, FLAT, TYPE A, SAE, 5/16 ID	324
CWWCKN075-015	WASHER, FLAT, TYPE A, WIDE, 3/4 ID	325
CW32938-101	WEIGHT STACK LABELS, 10-300, STAGGE	333
CW31772-741	ASSY, ADD-ON WEIGHT HORN, CLEAR ZIN	350
CWTAYN031-150	SCREW, BUTTON HEAD, BLK XYLAN, 5/16	351
CWWALYN031-008	WASHER, SPLIT, 5/16 ID, BL	352
CWWBKN031-007	WASHER, FLAT, TYPE A, SAE, 5/16 ID	353
CWAC1177-101	FLOOR PROTECTOR, RUBBER, 4.563 X 4.	501
CWAC1178-101	FLOOR PROTECTOR, RUBBER, 2.563 X 6.	502
CW58004-101	WEIGHT STACK BUSHING KIT, KS SERIES	600